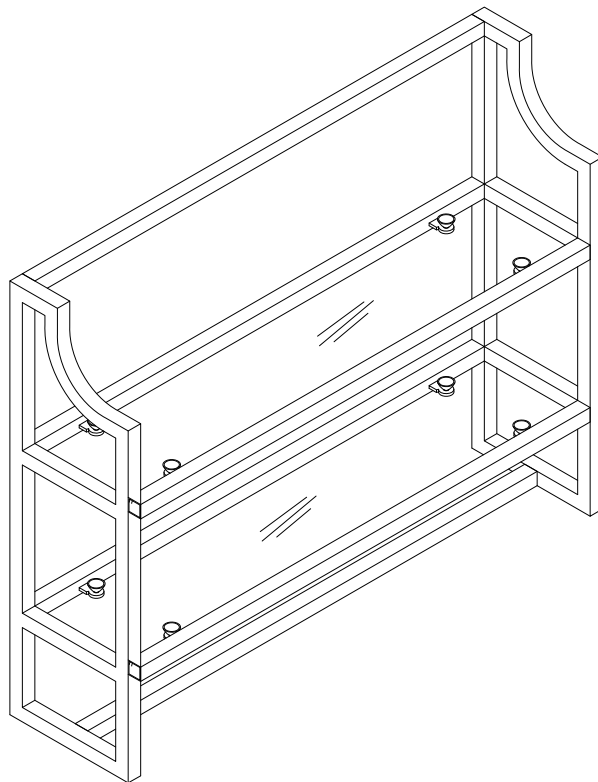
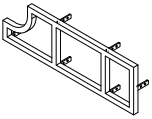
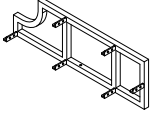
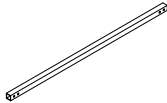
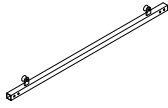
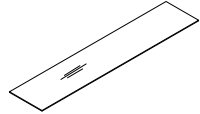




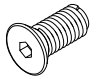

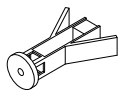
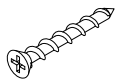
Wall Shelf
CF6204



PART LIST

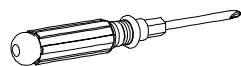
<div data-bbox="76 185 124 230" style="border: 1px solid black; padding: 2px; text-align: center;">A</div> 	<div data-bbox="363 185 411 230" style="border: 1px solid black; padding: 2px; text-align: center;">B</div> 	<div data-bbox="651 185 699 230" style="border: 1px solid black; padding: 2px; text-align: center;">C</div> 	<div data-bbox="938 185 986 230" style="border: 1px solid black; padding: 2px; text-align: center;">D</div> 	<div data-bbox="1225 185 1273 230" style="border: 1px solid black; padding: 2px; text-align: center;">E</div> 
<p style="text-align: center;">Left Frame 1 PC</p>	<p style="text-align: center;">Right Frame 1 PC</p>	<p style="text-align: center;">Cross Rail 2 PCS</p>	<p style="text-align: center;">Shelf Rail 4 PCS</p>	<p style="text-align: center;">Shelf Glass 2 PCS</p>

HARDWARE LIST

<div data-bbox="76 797 124 842" style="border: 1px solid black; padding: 2px; text-align: center;">#1</div>  <p style="text-align: center;">1/4" x 1/2"</p>	<div data-bbox="363 797 411 842" style="border: 1px solid black; padding: 2px; text-align: center;">#2</div> 	<div data-bbox="651 797 699 842" style="border: 1px solid black; padding: 2px; text-align: center;">#3</div> 	<div data-bbox="938 797 986 842" style="border: 1px solid black; padding: 2px; text-align: center;">#4</div> 
<p style="text-align: center;">Sunk Bolt 12 PCS (Extra 1)</p>	<p style="text-align: center;">Allen Wrench 1 PC</p>	<p style="text-align: center;">Wall Anchor 2 PCS</p>	<p style="text-align: center;">Screw 2 PCS</p>

ADDITIONAL TOOLS (Not Provided)

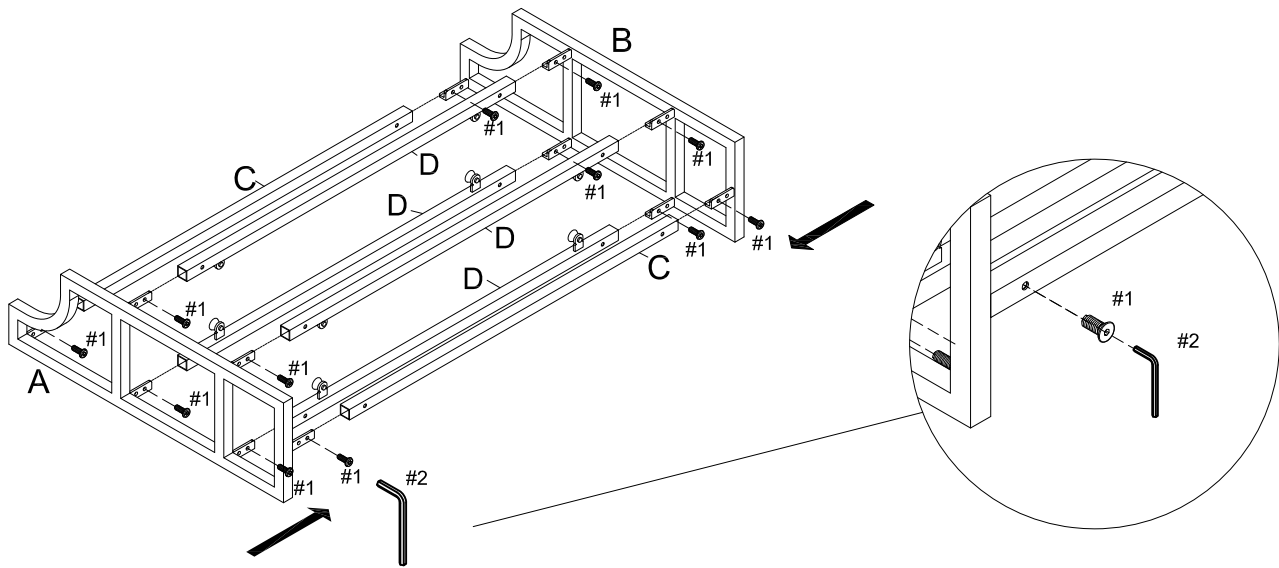
Note: It is not recommended to use power tools during assembly.

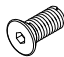



Phillips Head Screwdriver

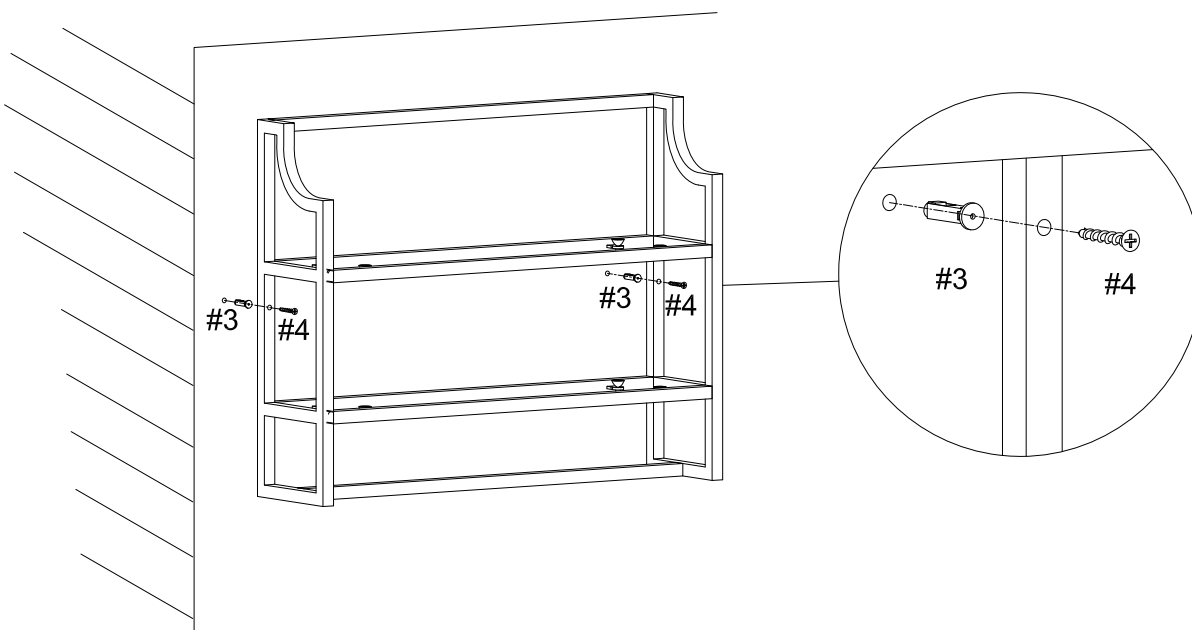
Step 1. Insert cross rails (part C) and shelf rails (part D) into frames (parts A & B) using sunk bolts (part #1) and allen wrench (part #2).



Note: Please fully tighten all bolts at this time.



- #1  x 12
- #2  x 1

Step 2. Drill two 11/32" holes in the wall where this unit will be secured. Tap wall anchors (part #3) into the drilled holes. Attach unit to wall anchors (part #3) using screws (part #4) and philips head screwdriver and tighten to secure.



- #3  x 2
- #4  x 2

Step 3. Carefully install shelf glass (part E) into the frames.

